

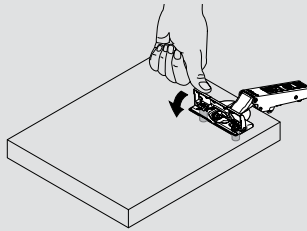
Instruction and adjustment sheet for BLUM CLIP top BLUMOTION

BLUMOTION
inside



INSERTA Hinge-to-door attachment

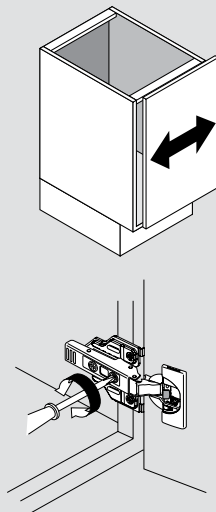
Tool-free attachment with INSERTA expanding $\varnothing 8$ mm dowels



Three-dimensional adjustment

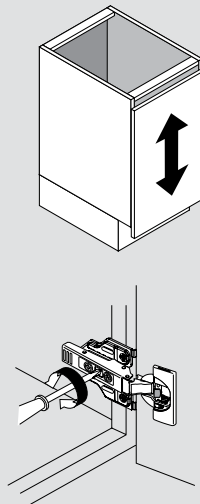
Side adjustment

Rotate front screw to increase or decrease door overlay (± 2 mm).



Height adjustment

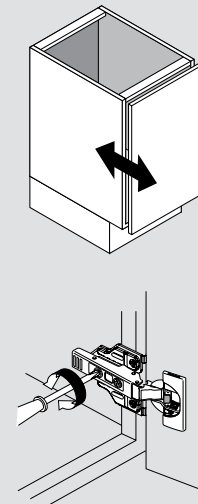
Rotate cam screw on mounting plate to adjust door position (± 2 mm).



On non-cam mounting plates, loosen screws, adjust door and retighten screws.

Depth adjustment

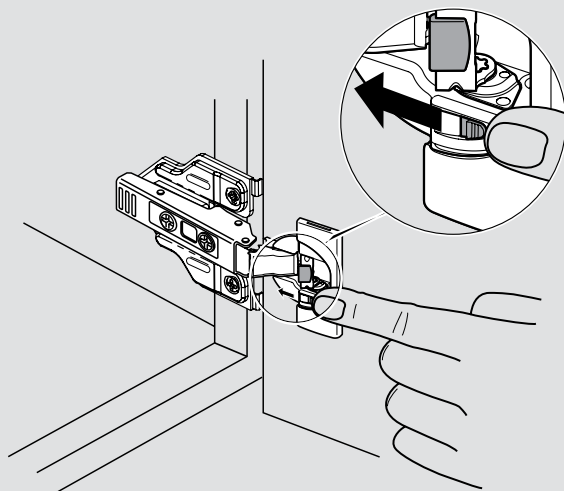
Rotate rear spiral tech cam screw to adjust door gap (+3 mm, -2 mm).



BLUMOTION deactivation

Switch on hinge cup

For small or light doors, the BLUMOTION can be deactivated on one of the hinges.



Door must be closed once for the deactivation to be complete. To reactivate, move switch back to original position.

